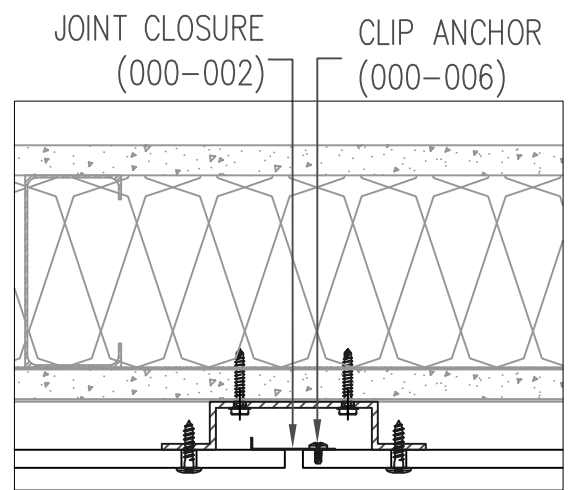


SPLINE (000-011)  
 SPLINE JOINT  
 SCALE: 1/4" = 1"



JOINT CLOSURE (000-002) CLIP ANCHOR (000-006)  
 JOINT CLOSURE  
 SCALE: 1/4" = 1"

**TRESPA**  
 NORTH AMERICA  
 12267 Crosthwaite Circle  
 Poway, CA 92064  
 Phone: 858.679.2090  
 FAX: 858.679.0440  
 www.trespanorthamerica.com

CHECKED: MMS	APPROVED: DEH	DATE: 12.16.03	FILE: 4	REVISION:
VERTICAL PANEL JOINT				
TS110		SCALE: 1/2" = 1"	DETAIL # 4	

REVISION NOTES:  
 1. CHANGED FROM DETAIL TM100