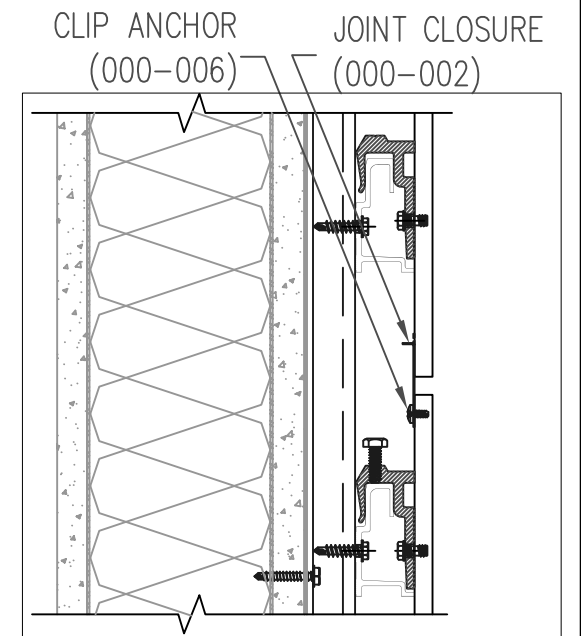


LAP JOINT
SCALE: 1/4" = 1"



JOINT CLOSURE
SCALE: 1/4" = 1"

TRESPA
NORTH AMERICA
12267 Crosthwaite Circle
Poway, CA 92064
Phone: 858.679.2090
FAX: 858.679.0440
www.trespanorthamerica.com

CHECKED: MMS	APPROVED: DEH	DATE: 12.16.03	FILE: 10	REVISION:
-----------------	------------------	-------------------	-------------	-----------

HORIZONTAL PANEL JOINT

TS210

SCALE:
1/2" = 1"

DETAIL #
10

REVISION NOTES:
1. CHANGED FROM DETAIL TM200